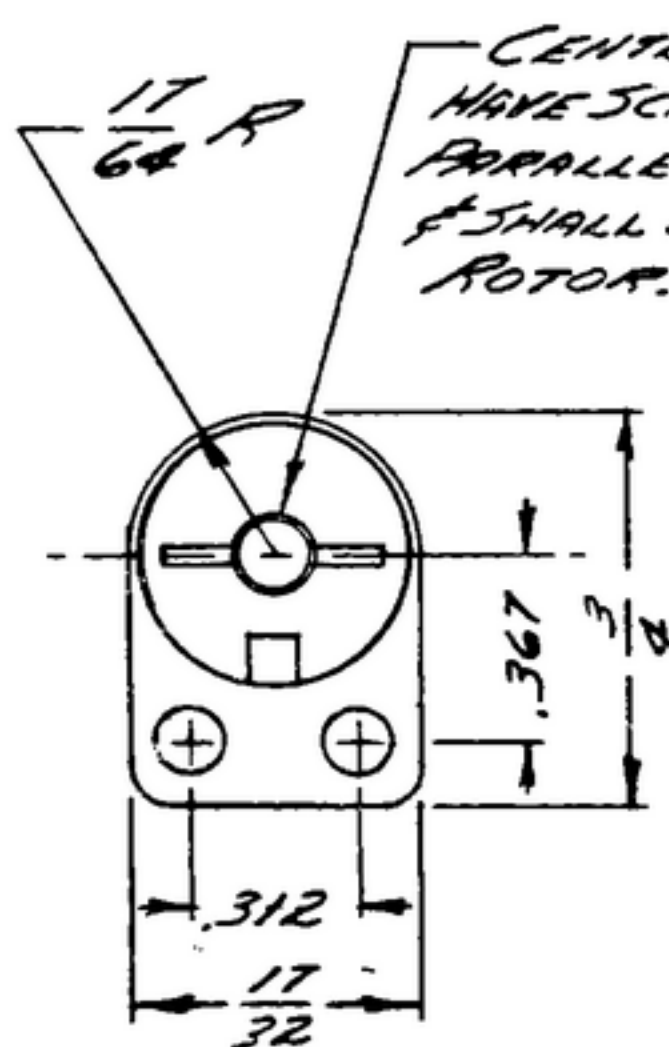


NOTICE: WHEN GOVERNMENT DRAWINGS, SPECIFICATIONS, OR OTHER DATA ARE USED FOR ANY PURPOSE OTHER THAN IN CONNECTION WITH A DEFINITELY RELATED GOVERNMENT PROCUREMENT OPERATION, THE UNITED STATES GOVERNMENT THEREBY INCURS NO RESPONSIBILITY NOR ANY OBLIGATION WHATSOEVER, AND THE FACT THAT THE GOVERNMENT MAY HAVE FORMULATED, FURNISHED, OR IN ANY WAY SUPPLIED THE SAID DRAWINGS, SPECIFICATIONS, OR OTHER DATA IS NOT TO BE REGARDED BY IMPLICATION OR OTHERWISE AS AN ENDORSEMENT LICENSING THE HOLDER OR ANY OTHER PERSON OR CORPORATION, OR CONFERRING ANY RIGHTS OR PERMISSION TO MANUFACTURE, USE, OR SELL ANY PATENTED INVENTION THAT MAY IN ANY WAY BE RELATED THERETO.

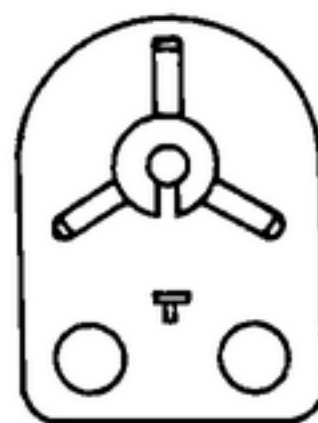
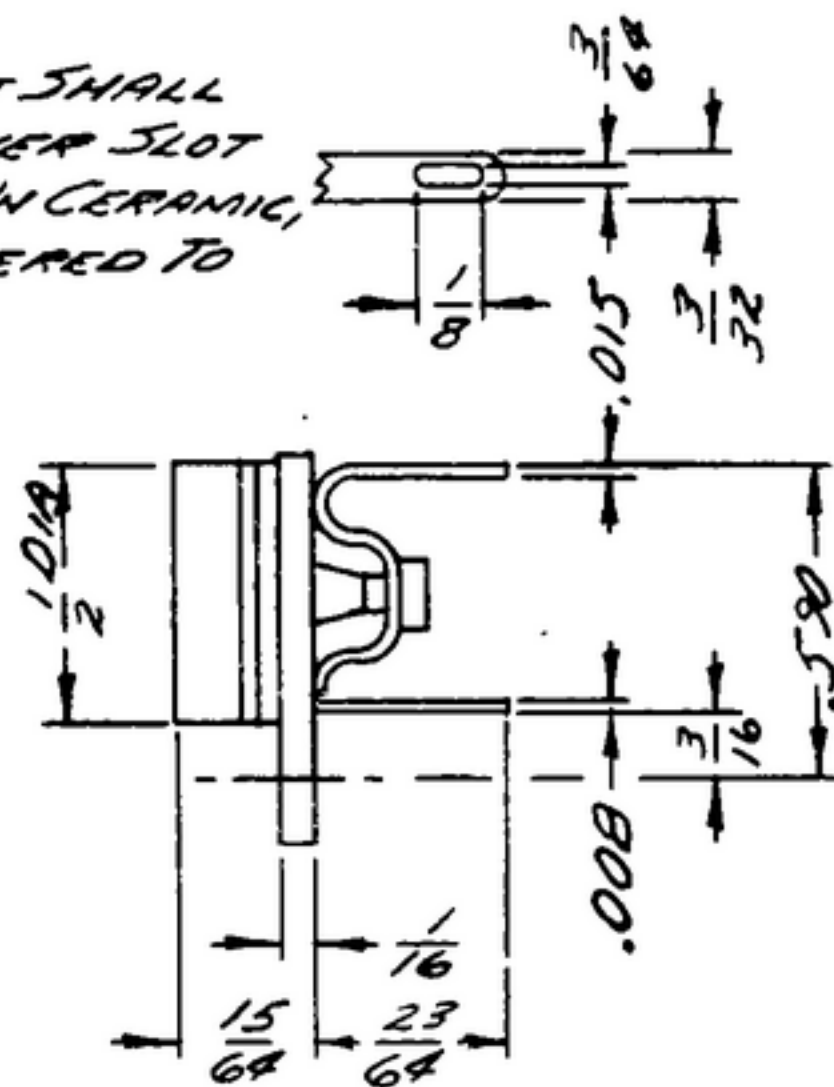
THIS DOCUMENT HAS BEEN PURCHASED BY THE GOVERNMENT AND MAY BE REPRODUCED AND USED IN CONNECTION WITH ANY GOVERNMENT PROCUREMENT OR MAINTENANCE OPERATION.

* FOR INFORMATION ONLY. CONTRACTOR MAY AT HIS OPTION DEVIATE FROM THESE PROCESS DETAILS.

REVISIONS			
SYM	DESCRIPTION	DATE	APPROVAL
A	(1) ADDED APPL SM-D-343620;	6 NOV 59	REP. PME
B	(1) RED DOT NOTE DELETED	7 APR. 60	REP. PME
C	(1) REMOVED RUBBER SILICONS	31 OCT 61	REP. PME



CENTER SHAFT SHALL HAVE SCREWDRIVER SLOT PARALLEL TO SLOT IN CERAMIC, & SHALL BE SOLDERED TO ROTOR.



REAR VIEW.

NOTES:

1. PART MAY BE TYPE 557 AS SUPPLIED BY ERIE RESISTOR CORP, ERIE, PA, OR EQUAL, PROVIDING IT MEETS THE FOLLOWING REQUIREMENTS AND DIMENSIONS SHOWN.

WORKING VOLTAGE: 350V D.C.

FLASH TEST: 700V D.C.

INITIAL Q FACTOR @ 1 MC: 500 MIN.

INITIAL LEAKAGE RESISTANCE: 10,000 MEGOHM, MIN.

ENVIRONMENTAL TESTS: CAPACITORS SHALL BE CAPABLE OF WITHSTANDING MOISTURE RESISTANCE TESTS PER SPEC MIL-C-81.

MATERIAL: PLASTIC: GRADE PBE-P OR BETTER PER SPEC MIL-P-3115

(B)

DASH NO.	COLLINS PART NO.	CAPACITY μ F			TEMP COEF PPM/°C
		MAX. MIN.	MIN. MAX.	MAX. MAX.	
SM-B-283228	559 0446 002	1.5	7.0	10.5	ZERO
	2 559 0447 002	8.0	50.0	75.0	N750

(A)

COLLINS PART NO.	ITEM	REQD	PART NO.	DESCRIPTION	MATL	MATL SPEC
LIST OF MATERIAL						
						COLLINS PART NO. <i>559 0446 002</i>

DRAW <i>LLB</i>				CHECKED <i>BS</i>		APPROVED		-COLLINS-RADIO CO. -CEDAR RAPIDS-IOWA <i>14214-PH</i> <i>51-93</i>		DEPARTMENT OF THE ARMY SIGNAL CORPS ENGINEERING LABORATORIES FORT MONMOUTH NEW JERSEY	
UNLESS OTHERWISE SPECIFIED: DECIMAL DIMENSIONS INCLUDING HOLE SIZES MAY VARY \pm .005 FRACTIONAL DIMENSIONS INCLUDING HOLE SIZES MAY VARY \pm 1/64 MACHINED ANGLES MAY VARY \pm 1° SHEARED ANGLES MAY VARY \pm .25° BROKEN ANGLES MAY VARY \pm 1° ECCENTRICITY BETWEEN ANY DIAMETERS ON THE SAME CENTERLINE SHALL NOT EXCEED .010 TOTAL INDICATOR READING. ALL DIMENSIONS ARE FINISH DIMENSIONS INCLUDING APPLIED FINISH AND ARE GIVEN IN INCHES.				SIGNAL CORPS REVIEWED <i>PME</i>		APPROVED <i>HLV</i> <i>PME</i>		<i>CAPACITOR-VARIABLE</i>			
APPLICATION				DATE <i>28 FEB 58</i>		SCALE <i>2/1</i>				<i>SM-B-283228</i>	
-COLLINS NO. - QTY - NEXT ASSY - USED ON											